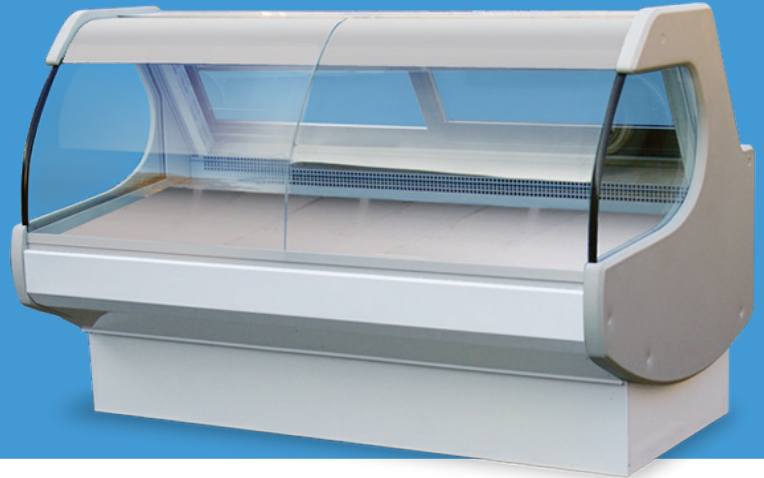


DC-RSCD

Curved Glass, Self Contained

**REFRIGERATED
DELI/MEAT/CHEESE/SALAD
CASE W/ SLIDING BACK DOOR**



Standard Features

- Curved front glass
- Stainless-steel top counter
- Interior LED lighting
- ABS sides
- Front and base white finish
- Automatic defrost cycle
- Front glass defogging system (self-contained case only)
- Gravity cooling system
- Digital temperature display
- Automatic condensation disposal
- Front bumper - different colours available
- Additional refrigerated under-shelf storage cabinet
- Flat inserts

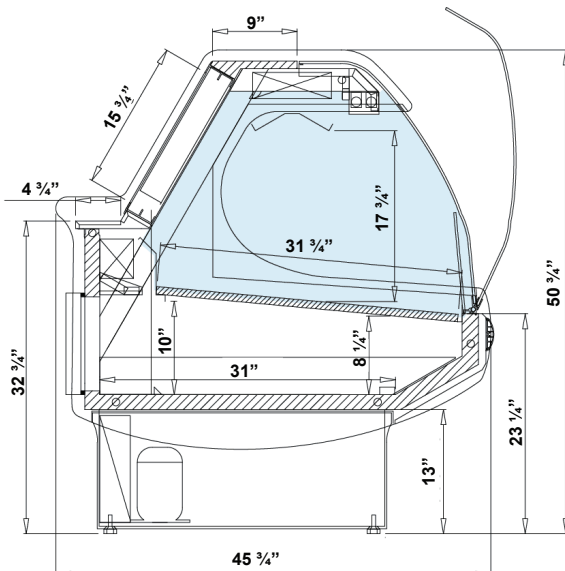
Options

- Remote compressor
- Possibility of multiplexing
- All stainless-steel base and front
- Mezzanine shelf with light
- Variety of finished colours
- Fresh seafood display case (RSCFID) available
- Steps insert

Metal element colours

- Black, White or Stainless Steel
- Other colors available upon request

Technical Drawing



***All equipment are designed to operate in a controlled environment below 75°F (+24°C) temperature and HR 55% relative humidity.

Dimensions

Model	Dimension W x D x H	Weight (lbs / kg)
DC-RSCD-4	52 1/2" x 45 3/4" x 50 3/4"	401 / 180
DC-RSCD-6	76 1/2" x 45 3/4" x 50 3/4"	529 / 240
DC-RSCD-8	100 3/4" x 45 3/4" x 50 3/4"	794 / 360

* Endless lineup, any length available

Voltage

- DC-RSCD-4: 115V | 1ph | 60 Hz | 8A, max. fuse: 15A
- DC-RSCD-6 : 115V | 1ph | 60 Hz | 8A, max. fuse: 15A
- DC-RSCD-8 : 115V | 1ph | 60 Hz | 15A, max. fuse: 20A

* Specifications are subject to change without notice.

**All measurements are approximates.